

## INSTALLATION AND MAINTENANCE INSTRUCTIONS MODEL AF-DF DOCK FANS-BOLLARD MOUNTING

### MODEL AF-DF DOCK FANS

These fans are designed for recirculating the air in semi-truck trailers and around loading docks.

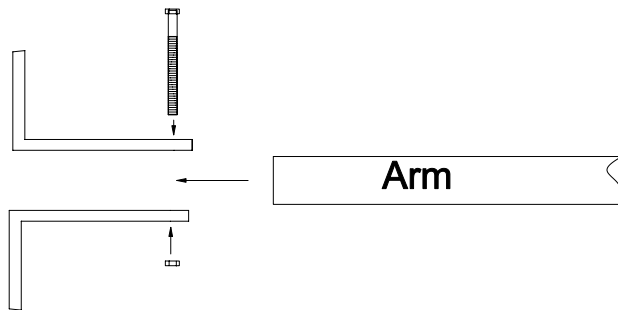
### SHIPPING INSPECTION

Upon receiving unit, check for any damage and report it immediately to the shipper. Also check to see that all accessory items are accounted for.

### INSTALLATION

The fan bollard mounting bracket should be mounted per details in the building plans. Refer to the Truck Cooler Fan Mounting Elevation Dwg in the plans supplied by the engineer. **In these instructions there is a typical mounting detail, however, refer to plans for verification of mounting heights.**

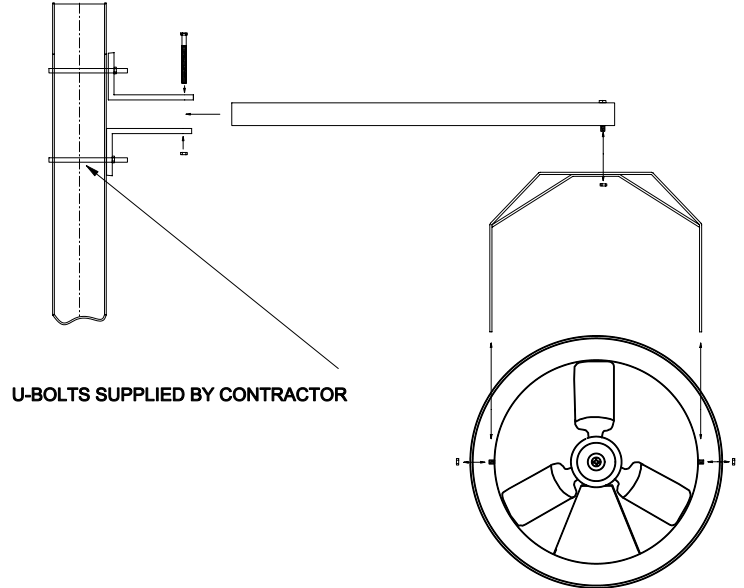
1. Fasten the arm to the bollard mounting brackets with the 5/8" bolt and nut as shown below.



2. Using 1/2" U-Bolts sized for a 6" pipe (Supplied by others), secure the bracket and arm to the bollard.

3. Fasten and secure the fan yoke (upside down "U" shaped bracket) to the arm of the wall bracket. Refer to the above illustration. **The "U" shaped yoke has to open down for clearance purposes.** Use the 5/8" bolts and nuts supplied with the fan.

4. The fan section fits inside of the "U" shaped yoke bracket. The threaded holes on each side of the fan section fit through the predrilled holes on the yoke. Fasten the fan section to the yoke bracket with the supplied nuts. Mount the fan section so that the motor mount bracket is below the fan motor.



5. 1/2" mesh guards are provided as standard. These guards may need to be removed to access the motor's internal wiring. When removing the guards, leave one of the self-tapping screws in place so that the guards can rotate around on the one screw. This makes it easy to re-insert the screws when you are ready to secure the guards after wiring the motor.

6. Single phase 115v units are standard with a 12 foot cord and connector for standard 115v electrical outlets. Three phase units are not supplied with cord and connector. These will need to be supplied with an appropriate cord and connector or hard wired directly to 3 phase power.

7. Check fan rotation upon startup. Standing in front of fan, the blade should be turning clockwise. If rotation needs to be reversed this usually can be accomplished by reversing the connection wires.

### IMPORTANT SAFETY INFORMATION

1. Comply with all local, state and federal codes. Verify that the phase and voltage confirm to the motor and name plate information.
2. Motor needs to be adequately grounded.
3. Disconnect all remote power sources before performing any maintenance
4. OSHA requires that guards must be installed when a fan is within reach of personnel or within seven (7) feet or working level or when deemed advisable for safety.

TYPICAL MOUNTING DETAIL  
(REFER TO PLANS TO VERIFY MOUNTING DIMENSIONS)

